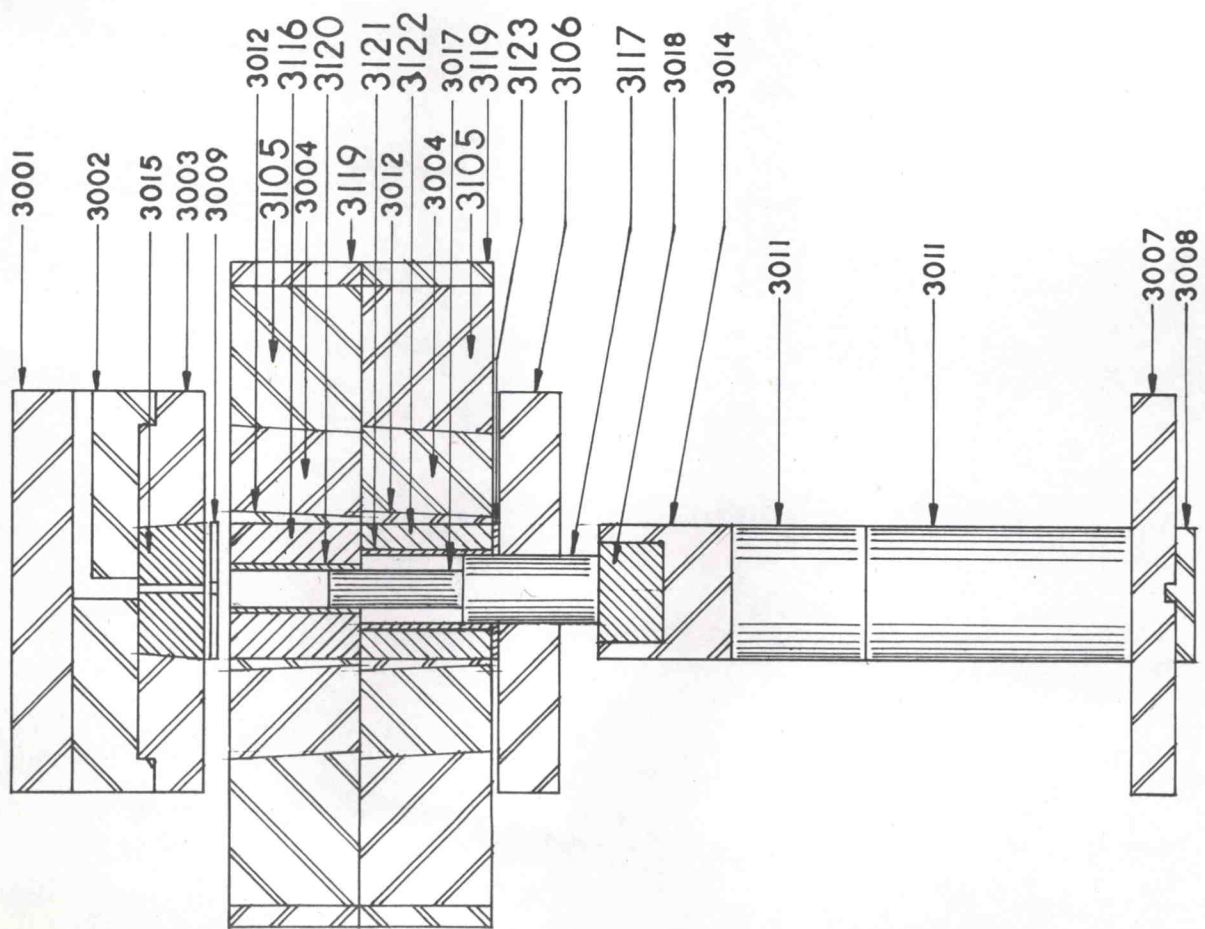
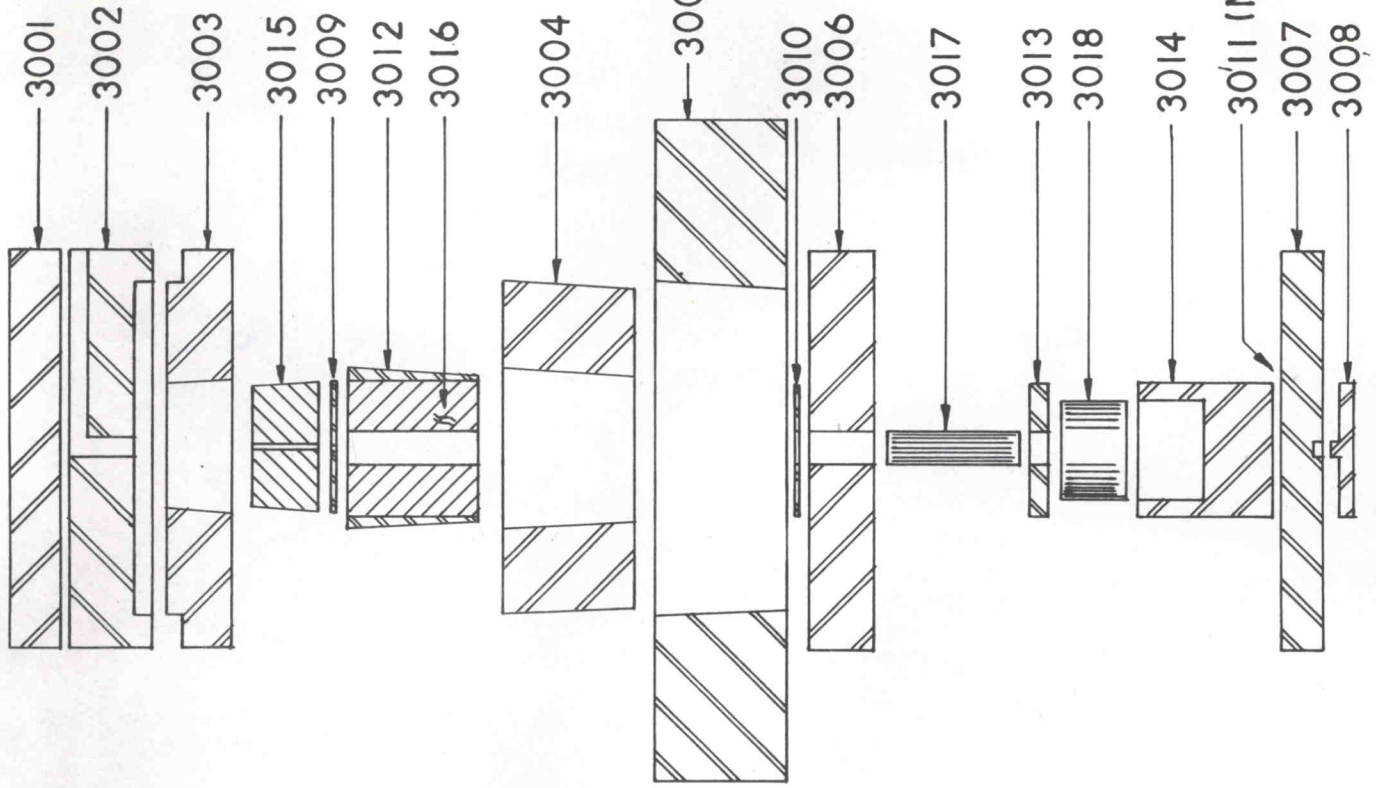
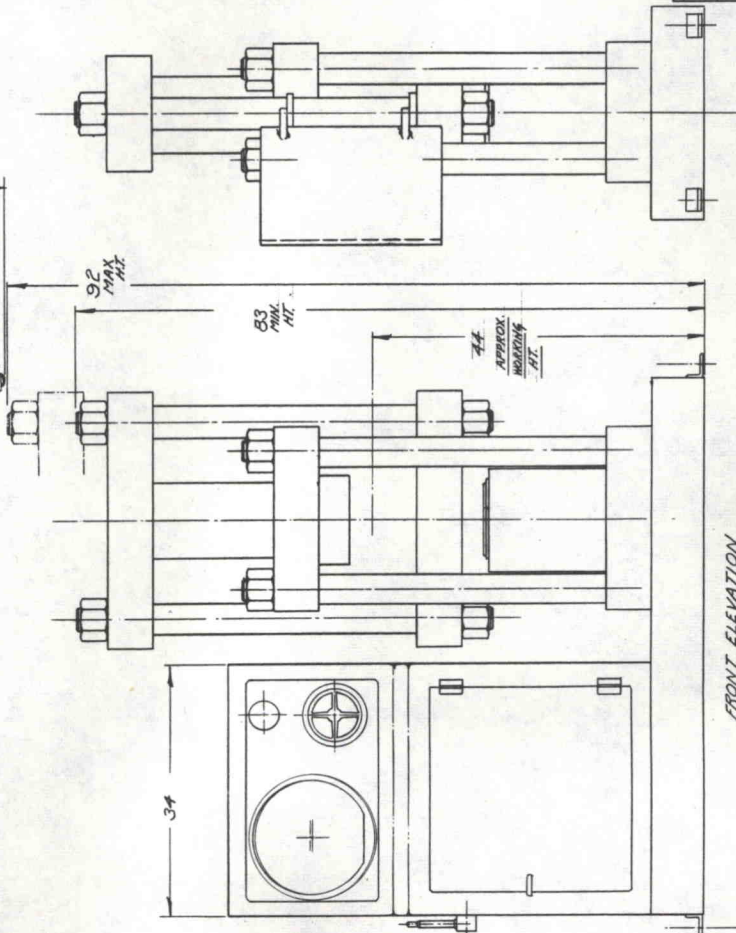
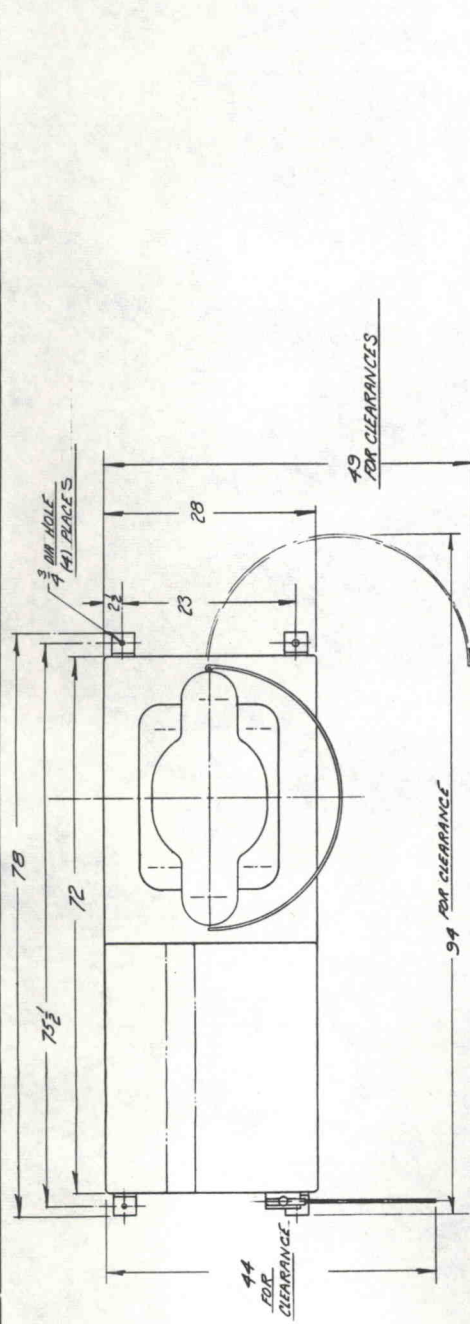


TEC

THE DESIGN OF THE EQUIPMENT SHOWN ON THIS DRAWING IS THE PROPERTY OF TRANSIS-TRONICS, INC. POSSESSION OF THE PRINT IS NOT TO BE REGARDED BY IMPLICATION OR OTHERWISE IN ANY MANNER THE LICENSING OF THE HOLDER OR ANY OTHER PERSON OR CORPORATION TO MANUFACTURE OR DUPLICATE THE PATENTED DESIGN OR ANY PART RELATED THEREOF.



REV.	DESCRIPTION	DATE	APPROVAL



FRONT ELEVATION  
WITH GUARD REMOVED

THIS DRAWING IS THE PROPERTY OF TRANSIS TRONICS, INC. IT IS TO BE USED FOR THE MANUFACTURE OF THE EQUIPMENT SPECIFIED HEREON. IT IS NOT TO BE REPRODUCED, COPIED, OR TRANSMITTED IN ANY FORM OR BY ANY MEANS, ELECTRONIC OR MECHANICAL, INCLUDING PHOTOCOPYING, RECORDING, OR BY ANY INFORMATION STORAGE AND RETRIEVAL SYSTEM. ANY UNAUTHORIZED USE OF THIS DRAWING IS PROHIBITED. TRANSIS TRONICS, INC. 1968.

REVISED DRAWING INFORMATION		LIST OF MATERIAL	
REV.	DESCRIPTION	DATE	APPROVAL

REV.	DESCRIPTION	DATE	APPROVAL

REV.	DESCRIPTION	DATE	APPROVAL

TRANSIS TRONICS, INC.  
1000 OLYMPIC BLVD.  
SANTA MONICA, CALIF.

PRESS  
AND CONSOLE

DATE: 8/1/68  
DRAWN BY: [signature]